

KN  
KFC-Xr901



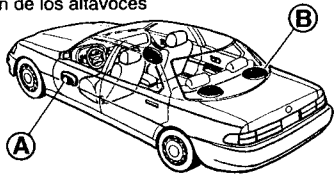
TEMPLATE GABARIT SCHABLONE SJABLOON MASCHERINA PLANTILLA

DOOR/REAR DECK SPEAKER  
HAUT-PARLEUR POUR PORTIÈRE/PLAGE ARRIERE

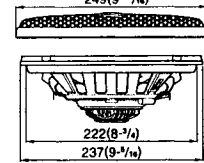
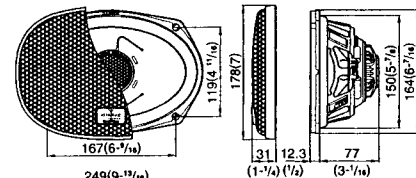
# KFC-Xr901

INSTALLATION INSTRUCTIONS  
PROCÉDURES D'INSTALLATION

Speaker locations  
Emplacement des haut-parleurs  
Plazierung der Lautsprecher  
Plaatsen van luidsprekers  
Luogo di installazione degli altoparlanti  
Ubicación de los altavoces

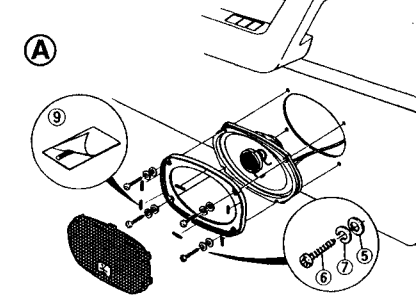


Dimensions  
Abmessungen  
Dimensioni

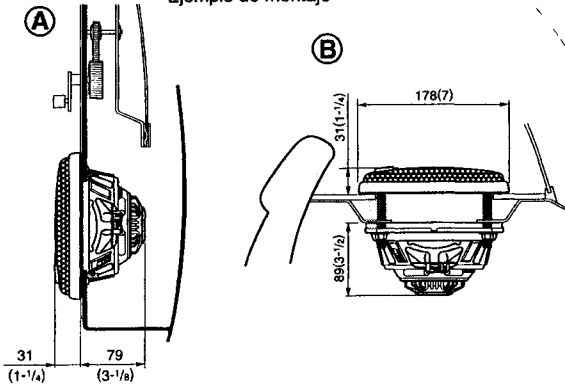


Unit:mm(inch)  
Unité:mm(pouces)

Installation  
Einbau  
Installazione

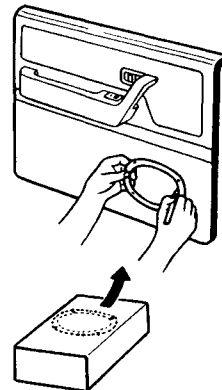


Example of mounting  
Exemple de montage  
Hinweise zum einbau  
Installatievoorbeeld  
Esempio di montaggio  
Ejemplo de montaje



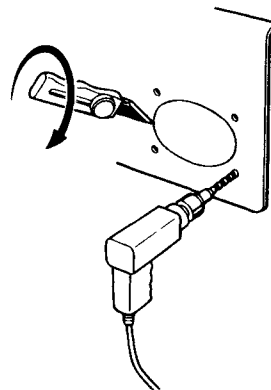
How to use the template  
Gebrauch der schablone  
Uso della mascherina

Mark holes  
Reperer les trous  
Die löcher anzeichnen  
Markeer gaten  
Fori di riferiment  
Marque los orificios



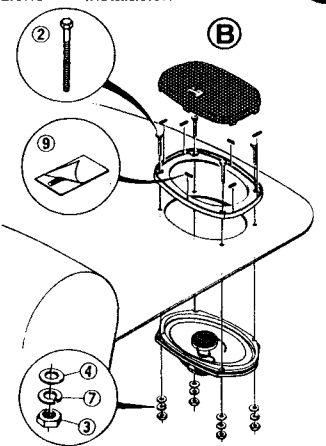
Utilisation du gabarit  
Gebruik van het maatplaatje  
Forma de utilizar la plantilla

Cut out the holes  
Decouper les trous  
Die löcher ausschneiden  
Snij gaten uit  
Forare  
Taladre orificios



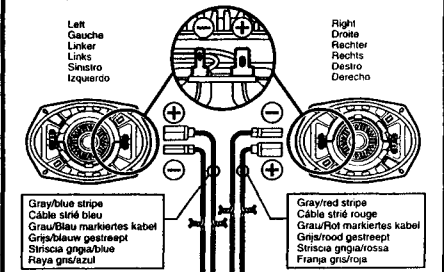
Installation  
Einbau  
Installazione

Installation  
Installatie  
Instalación



Connections  
Anschlüsse  
Collegamenti

Raccordements  
Aansluitingen  
Conexiones



Gray/blue stripe  
Câble strié bleu  
Grau/Blau markiertes Kabel  
Grijs/blauw gestreept  
Striscia grigio/azzurro  
Fraya gris/azul

Gray/red stripe  
Câble strié rouge  
Grau/Rot markiertes Kabel  
Grijs/rood gestreept  
Striscia grigio/rossa  
Fraya gris/rojo

CAR AUDIO COMPONENTS  
ELEMENTS Hi-Fi POUR VOITURE  
AUTO STEREO-KOMPONENTEN  
AUTO STEREO-KOMPONENTEN  
COMPONENTI AUDIO PER AUTO  
COMPONENTES DE AUDIO PARA AUTOMÓVILES

Parts included  
Mitgeliefertes Zubehör  
Parti incluse

Pieces comprises  
Bijgeleverde onderdelen  
Partes incluidas

- |   |                |   |                   |
|---|----------------|---|-------------------|
| ① | .....X2        | ⑥ | φ 4 X 40.....X8   |
| ② | M4 X 70.....X8 | ⑦ | φ 4.....X8        |
| ③ | M4.....X8      | ⑧ | 4.5m(15ft).....X2 |
| ④ | M4.....X8      | ⑨ | .....X1           |
| ⑤ | φ 4.....X8     | ⑩ | .....X2           |

■ Do not use the provided speaker cords for other purposes (such as a power cord). Otherwise malfunction or fire hazard could result.  
■ Ne pas utiliser les cordons de liaison aux enceintes pour une destination autre que celle prévue (par exemple, pour alimenter un appareil). Faute de quoi, un défaut de fonctionnement ou un incendie pourrait en résulter.  
■ Die mitgelieferten Lautsprecherkabel dürfen nicht für andere Zwecke verwendet werden (z.B. als Netzkabel), da dies eine Funktionsstörung oder die Gefahr eines Brandes verursachen.  
■ Gebruik de bijgeleverde luidsprekersnoeren niet voor andere doeleinden (bijvoorbeeld als netsnoer), daar dat mogelijk brand of andere problemen veroorzaakt.  
■ Non utilizzare i cavi dei diffusori in dotazione per scopi diversi (come, ad esempio, cavi di alimentazione). In caso contrario si possono causare incendi e folgorazioni.  
■ No utilize los cables de altavoces suministrados para otros propósitos (tales como los de un cable de alimentación). Si no, podrían producirse averías o peligros de incendio.

VOLUME 0.0143m<sup>3</sup>/0.50ft<sup>3</sup> WEIGHT/POIDS 2.2kg/4.9 lb

KENWOOD CORPORATION  
TOKYO 150-8501 JAPAN

DESIGNED AND ENGINEERED IN JAPAN  
MADE IN INDONESIA / FABRIQUE EN INDONESIE

# IMPORTANT SAFEGUARDS

# KENWOOD

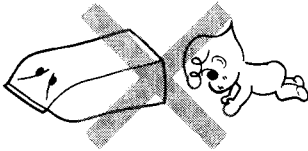
KENWOOD CORPORATION

**⚠ Caution : Read this page carefully to keep your safety.**

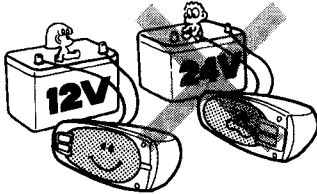
©PRINTED IN SINGAPORE B59-0467-00(W/F/S) 017595  
90/12 11 10 9 8 7 6 5 4 3 2 1 09/12 11 10

Please read all of the safety and operating instructions before operating this unit. For best results, follow all warnings placed on the unit and adhere to the operating and use instructions. These safety and operating instructions should be retained for future reference.

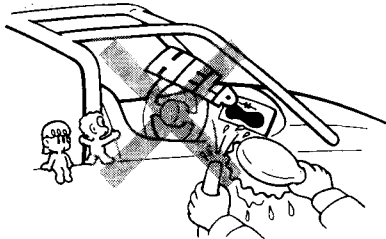
**1 Suffocation** — After taking the unit out of the polyethylene bag, be sure to dispose of the polyethylene bag out of the reach of children. Otherwise, they may play with the bag, which could cause hazard of suffocation.



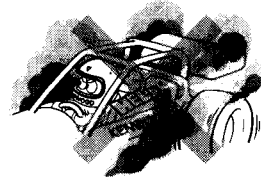
**2 Power supply voltage** — Connect the illumination lamp-equipped speakers to DC 12 V, negative ground.



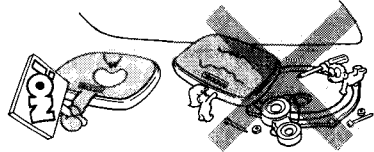
**3 Water and moisture** — Do not install the speakers in locations which may be subject to water or moisture.



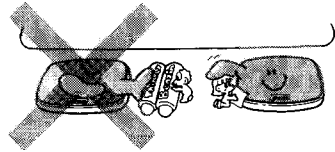
**4 Dust and unstable locations** — Do not install the speakers in unstable locations or locations subject to dust.



**5 Modification** — Do not attempt to open or modify the unit, for this could cause fire hazard or malfunction.



**6 Cleaning** — Do not use gasoline, naphtha, or any type of solvent to clean the speakers. Clean by wiping with a soft, dry cloth.



**7 Abnormal smell** — In the event the unit generates smoke or abnormal smell, immediately switch the power OFF. After this, please contact your dealer or nearest service station as soon as possible.

**POWER OFF!**



## Content

|                                       | Page |
|---------------------------------------|------|
| U.S.A.                                | 2    |
| Australia                             | 3    |
| Canada                                | 4    |
| Military                              | 6    |
| Belgique et Grand-duché de Luxembourg | 8    |
| Danmark                               | 9    |
| Deutschland                           | 9    |
| Nederland                             | 10   |
| Portugal                              | 10   |
| U.K. & Ireland                        | 11   |
| Österreich                            | 11   |
| Ellás                                 | 12   |
| España                                | 12   |
| France                                | 13   |
| Italia                                | 13   |
| Suomi                                 | 14   |
| Andorra                               | 14   |
| Iceland                               | 14   |
| Malta                                 | 14   |
| Norge                                 | 15   |
| Schweiz                               | 15   |
| Svizzera                              | 15   |
| Suisse                                | 15   |
| Sverige                               | 15   |

Dear Customer,

Thank you for purchasing the Product. As mentioned on this page of this booklet, our Warranty is only valid in the countries listed. If your country is not listed please contact your retailer for information on warranty procedure or write to:

**KENWOOD Customer Information Center**  
3-6-17 Aobada  
Meguro-ku Tokyo 153 JAPAN  
Kenwood Corporation  
Customer Information Center

# KENWOOD

## Warranty Card

Geräte-Typ und Seriennummer  
Identification du produit  
Produkt navn og serie nummer  
Modelo y Número de serie  
Malli ja sarjanumero  
Μοντέλο και αριθμός σειράς  
Modello e numero di matricola  
Modell og serienummer  
Modelo e numero de serie  
Apparat typ & serienummer  
Identificatie van het product  
Módel heiti og raðnúmer  
Il-Modell u s-serjal number  
Model name & serial number

Stempel und Unterschrift des Händlers  
Revendeur & cachet  
Forhandler  
Distribuidor y sello  
Jälleenmyyjä & leima  
Συμπράξια εταιρίας  
Timbro del rivenditore  
Forhandlerens navn og stempel  
Agente e carimbo  
Återförsäljare & stämpel  
Dealer & stempel  
Undirritun og stimpill söluaðila  
Timbru tal-bejjiegh  
Dealer & stamp

Kaufdatum  
Date d'achat  
Købsdato  
Fecha de compra  
Ostopäivä  
Ημερομηνία αγοράς  
Data di acquisto  
Kjøpt dato  
Data de compra  
Inköpsdatum  
Aankoopdatum  
Söludagur  
Id-data ta' meta nxtara  
Purchase date

Name und Anschrift des Käufers  
Nom & adresse du client  
Købers navn og adresse  
Nombre y dirección del cliente  
Asiakkaan nimi & osoite  
Όνομα και διεύθυνση αγοραστή  
Nome e indirizzo del cliente  
Kundens navn og adresse  
Nome e morada do comprador  
Kundens namn & adress  
Naam & adres van de klant  
Nafn og heimilisfang kaupanda  
L-iseru u l-indirizz tax-xerrej  
Name & address of customer

The tables of content are a back cover

This warranty will be honored only in the U.S.A.

## **KENWOOD LIMITED WARRANTY FOR CAR STEREO COMPONENTS**

### **HOW LONG IS THE WARRANTY**

Kenwood U.S.A. Corporation ("Kenwood") warrants this product for a period of one (1) year from the date of original purchase.

### **WHAT IS COVERED AND WHAT IS NOT COVERED**

Except as specified below, this warranty covers all defects in material and workmanship in Kenwood car stereo components. The following are not covered by the warranty:

1. Any product which is not distributed in the U.S.A. by Kenwood or which is not purchased in the U.S.A. from an authorized Kenwood car stereo dealer or an automobile dealer, unless the product is purchased through the U.S.A Military Exchange Service.
2. Any product on which the serial number has been defaced, modified or removed.
3. Damage, deterioration or malfunction resulting from:
  - a. Any shipment of the product (claims must be presented to the carrier).
  - b. Installation or removal of the product.
  - c. Accident, acts of nature, misuse, abuse, neglect, unauthorized product modification or failure to follow instructions supplied with the product.
  - d. Repair or attempted repair by anyone not authorized by Kenwood.
  - e. Any other cause which does not relate to a product defect.

### **WHO IS PROTECTED**

This warranty is enforceable only by the original purchaser.

### **WHAT WE WILL PAY FOR**

We will pay for all labor and material expenses for covered items. Payment of shipping charges is discussed in the next section of this warranty.

### **HOW TO OBTAIN WARRANTY SERVICE**

If your KENWOOD product ever needs service:

1. Take or ship it to any KENWOOD Authorized Service Center in the U.S.A. along with a complete description of the problem. (If you are uncertain as to whether a Service Center is authorized, please call 1-800-KENWOOD for the nearest Service Center. 1-800-536-9663).
2. Although you must pay any shipping charges if it is necessary to ship the product for warranty service, we will pay the return shipping charges if the repairs are covered by the warranty within the United States.
3. Whenever your units are taken or sent for warranty service, you must include a copy of the original dated sales receipt as proof of warranty coverage.

### **LIMITATION OF IMPLIED WARRANTIES**

ALL IMPLIED WARRANTIES, INCLUDING WARRANTIES OF MERCHANTABILITY AND FITNESS FOR A PARTICULAR PURPOSE, ARE LIMITED IN DURATION TO THE LENGTH OF THIS WARRANTY.

### **EXCLUSION OF DAMAGES**

KENWOOD'S LIABILITY FOR ANY DEFECTIVE PRODUCT IS LIMITED TO THE REPAIR OR REPLACEMENT OF THE PRODUCT AT OUR OPTION. KENWOOD SHALL NOT BE LIABLE FOR:

1. INSTALLATION OR REMOVAL CHARGES, DAMAGE TO OTHER PROPERTY CAUSED BY ANY DEFECTS IN KENWOOD CAR STEREO COMPONENTS, DAMAGES BASED UPON INCONVENIENCE, LOSS OF USE OF THE PRODUCT; OR
2. ANY OTHER DAMAGES, WHETHER INCIDENTAL, CONSEQUENTIAL OR OTHERWISE.

SOME STATES DO NOT ALLOW LIMITATIONS ON HOW LONG AN IMPLIED WARRANTY LASTS AND/OR DO NOT ALLOW THE EXCLUSION OR LIMITATION OF INCIDENTAL OR CONSEQUENTIAL DAMAGES, SO THE ABOVE LIMITATIONS AND EXCLUSIONS MAY NOT APPLY TO YOU.

This warranty gives you specific legal rights, and you may also have other rights which vary from state to state.

If a problem develops during or after the Limited Warranty Period, or if you have any questions regarding the operation of the product, you should contact your KENWOOD Authorized Dealer or Authorized Service Center. If the problem or your question is not handled to your satisfaction, please contact our Customer Relations Department at the address listed below: